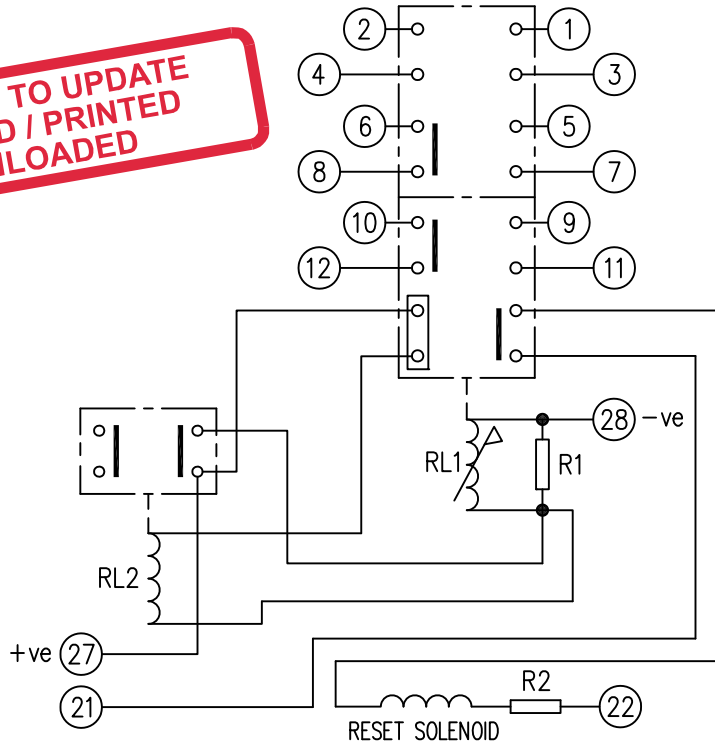


LOOKING ON FRONT OF RELAY

NOT SUBJECT TO UPDATE
ONCE COPIED / PRINTED
OR DOWNLOADED



KEY	R2	6R8 2102C15687							
	R1	390R 2102C35391				2X100R IN SERIES 2102C41101			
○ ○	Vdc	24	30	48	60	125	240		
⎓	CONTACT CONFIG.	OUTPUT CONTACT PAIR / TERMINAL No.							NOTE: 1. CONTACT CONFIGURATION ABOVE IS REQUIRED FOR RELAY OPERATION. FOR DETAILS OF VARIABLE CONTACT OPTIONS SEE TABLE OPPOSITE. 2. RESISTORS R1 7 R2 ARE FITTED ONLY WHEN REQUIRED. SEE TABLE ABOVE.
⎓	1-3	2-4	5-7	6-8	9-11	10-12			
⎓	6M	M	M	M	M	M			
⎓	5M 1B	M	B	M	M	M			
⎓	4M 2B	B	B	M	M	M			
⎓	3M 3B	B	B	B	M	M			
⎓	2M 4B	B	B	B	M	B	M		
⎓	ext. conn								
⎓	plug bridge - shorting								
⎓	metering point								
⎓	5Kv barrier								
⎓	test socket - shorting								
⎓	plug & socket								

FRAME REFERENCE: E4FS05.
FRAME TERMINAL BLOCK ASSY: -
ASSEMBLY INSTRUCTIONS: -
 TYPICAL ASSEMBLY DRAWING 2995G10032.
 AT INDICATED POSITIONS FIT AS FOLLOWS:
 T - FIT TRIP ISOLATION CONTACT 2995B10053
 S - FIT STANDARD CONTACT 2995B10054
 SECURE CONTACTS USING FIXING SCREW 2109F99009.
 POSITIONS SHOWN BLANK ARE UNUSED

2	T	T	1
4	T	T	3
6	T	T	5
8	T	T	7
10	T	T	9
12	T	T	11
14			13
16			15
18			17
20			19
22	S	S	21
24			23
26			25
28	S	S	27

VIEW FROM NUMBERED SIDE OF BLOCK

OUTER TERMINAL BLOCK ASSY: -
ASSEMBLY INSTRUCTIONS: -
 TYPICAL ASSEMBLY DRAWING 2995G10029.
 AT INDICATED POSITIONS FIT AS FOLLOWS:
 S - FIT STANDARD CONTACT 2995B10051
 HC - FIT 'HEAVY CURRENT' KIT 2995G10030
 WHERE ○ ○ IS SHOWN FIT CT SHORTING KIT 2995G10031
 POSITIONS SHOWN BLANK ARE UNUSED.
 ALL POSITIONS FIT SCREW 2106F12506.

2	S	S	1
4	S	S	3
6	S	S	5
8	S	S	7
10	S	S	9
12	S	S	11
14			13
16			15
18			17
20			19
22	S	S	21
24			23
26			25
28	S	S	27

VIEW FROM INSIDE FACE

6	07/12/09	MN112/3223	Title: T.B. AND WIRING DIAGRAM FOR 7PG15233 (TR233) 6 CONTACT RELAY IN E4 CASE	First used on:	<div style="font-size: 2em; font-family: cursive;">2112W50122</div>			
			SIEMENS PROTECTION DEVICES LTD.	Original Scale:		Supersedes:		
ISSUE	DATE	MOD.No.	DRAWN: A.LAW	CHECKED: RD.WATSON	APPROVED: RD.WATSON	DATE: 08/12/2009	IE:	OPS: